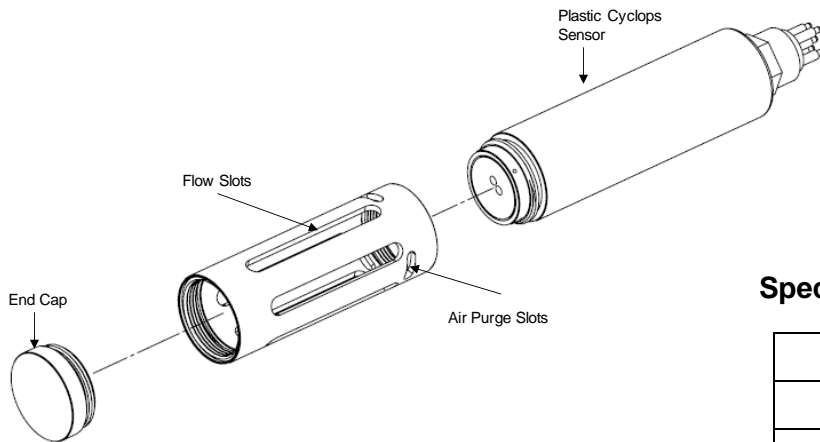


Introduction

We recommend use of the shade cap for calibration and sampling as it provides a fixed distance for sample measurement and minimizes effects from ambient light. The Shade Cap (P/N: 2100-708) for the Plastic Cyclops Sensor also offers protection for the optics located at the optical end of the instrument. It prevents damage from deploying, recovering, or transporting the instrument, in fast-flowing environments, and/or from bottoming out in shallow environments.

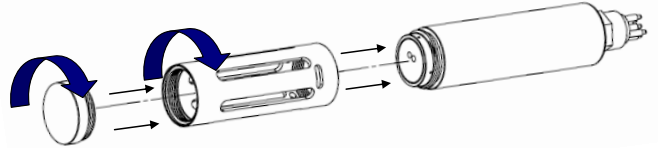
Features

- Threaded ends for easy installation and removal
- Corrosion resistant material
- In-line design maintains sensor's diameter
- Large flow slots for improved flow

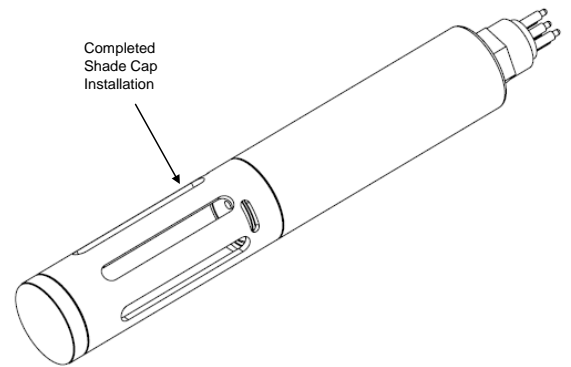


Installation

1. Turning clockwise, hand tighten the air purge slot end of the Shade Cap onto the Plastic Cyclops Sensor's optical head until the Shade Cap is fully secured to the unit.



2. Turning clockwise, hand tighten the End Cap to the other end of the Shade Cap until it is fully secured to the Shade Cap (Optional).



Specifications

Material	Delrin
Weight	22.9 g (0.05 lbs.)
Length	9.2 cm (3.62 in.)
Diameter	3.1 cm (1.22 in.)
Depth Rating	600 meters