

## Introduction

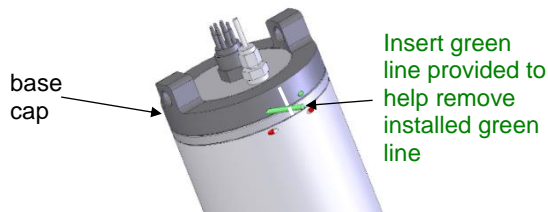
- Battery Bracket P/N: 2300/2360-603 is for use with Submersible Battery Pack P/N 2200-601 for the C3 and C6P Submersible Fluorometers and PhytoFind.
- Battery Bracket P/N 2360-605 is for use with the High Capacity Battery Pack for the C6P and PhytoFind.

The Battery Bracket is designed to provide support and stability, allowing a direct connection between the battery and instrument during self-contained deployment, thus eliminating the need for a cable connection.

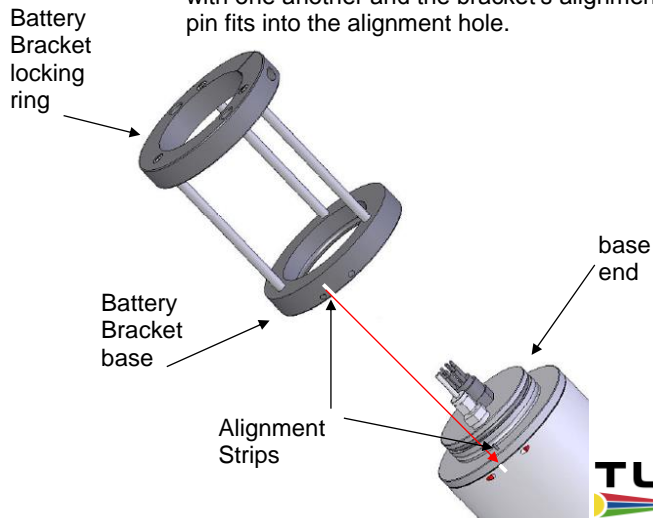
Battery Bracket P/N: 2300-603 is also designed to hold the C3 Analog Adapter P/N 2300-480 in place and support it to avoid any break in communication or power ensuring continuous data output.

## Installation

- 1) Use the extra plastic green support line provided with the Battery Bracket to remove the installed plastic green support line from the base cap of the instrument.



- 2) Pull the base cap off of the instrument.
- 3) Position the Battery Bracket with the fluorometer so the alignment strips line up with one another and the bracket's alignment pin fits into the alignment hole.



- 4) Secure the connection by feeding the Green Line through the holes on the Battery Bracket's base.



- 5) Slide the submersible battery pack or C3 Analog Adapter through the bracket towards the male connector on the fluorometer.
- 6) Mate the 8-pin male connector on the fluorometer with the female connector on the battery pack or analog adapter.
- 7) Secure the connection using the Allen Hex Key provided to tighten the Hex Screw located on the bracket's locking ring, around the battery or analog adapter.

